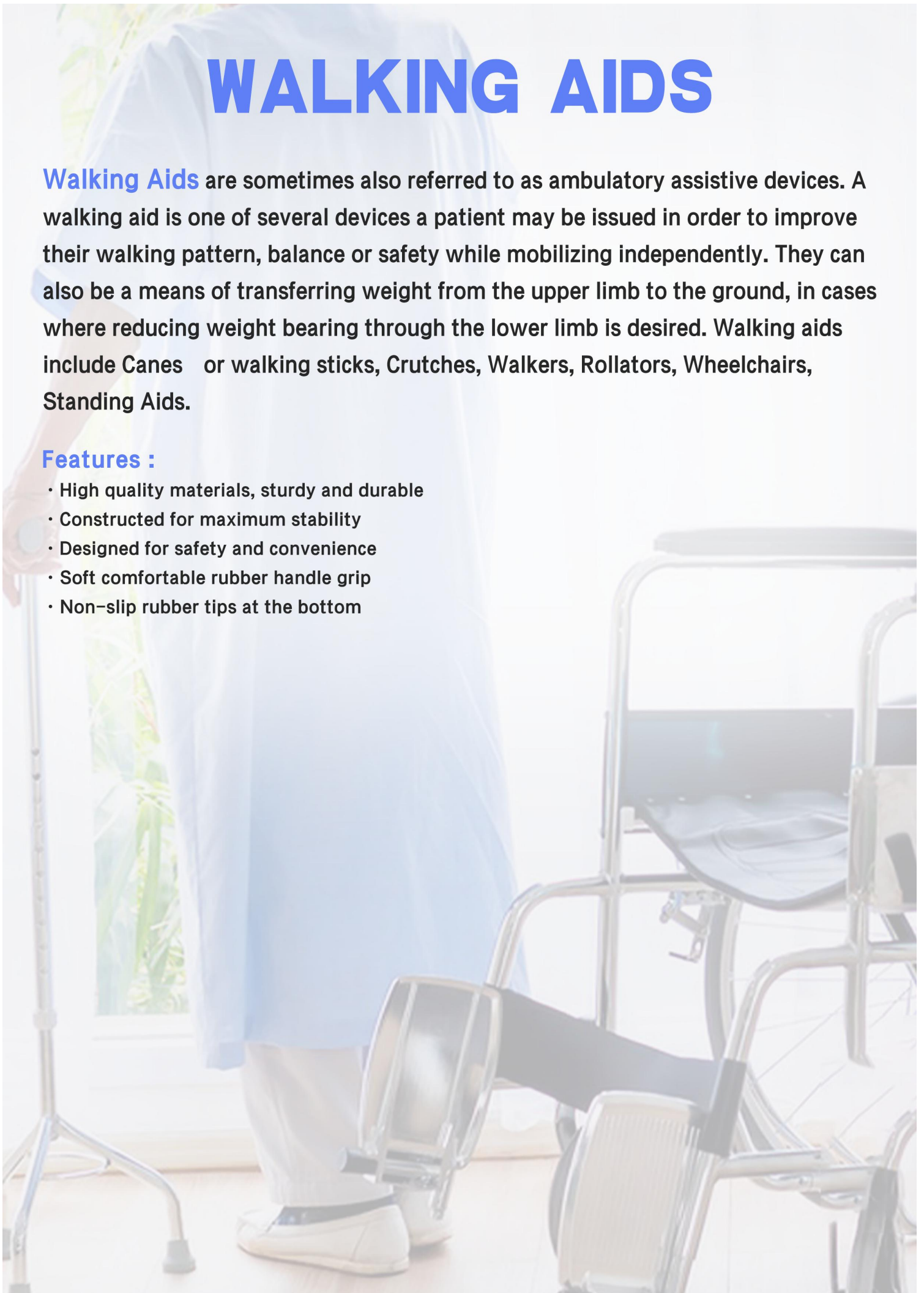


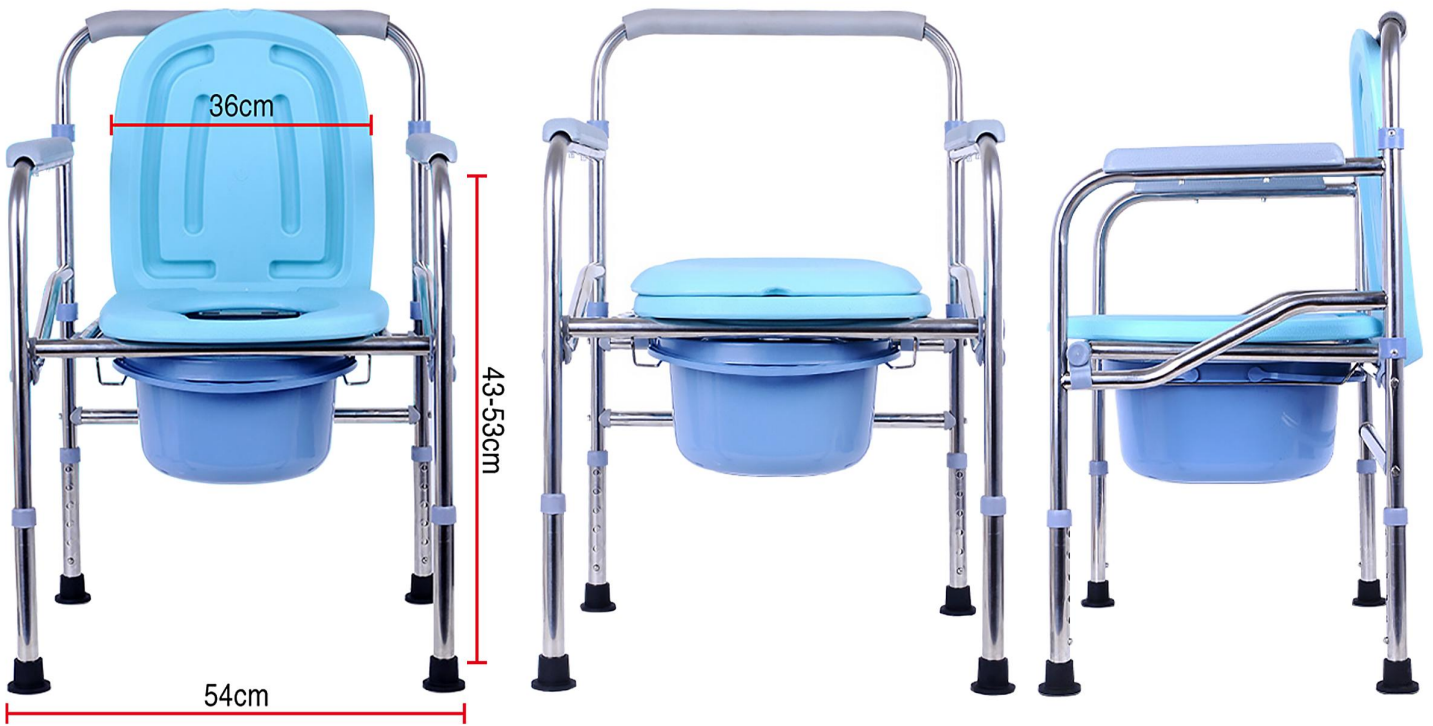
WALKING AIDS

Walking Aids are sometimes also referred to as ambulatory assistive devices. A walking aid is one of several devices a patient may be issued in order to improve their walking pattern, balance or safety while mobilizing independently. They can also be a means of transferring weight from the upper limb to the ground, in cases where reducing weight bearing through the lower limb is desired. Walking aids include Canes or walking sticks, Crutches, Walkers, Rollators, Wheelchairs, Standing Aids.

Features :

- High quality materials, sturdy and durable
- Constructed for maximum stability
- Designed for safety and convenience
- Soft comfortable rubber handle grip
- Non-slip rubber tips at the bottom





WA-4801
Size: 43-53cm, 36cm, 54cm
other customized sizes.



WA-4802
Size: 77-87X51X43cm
other customized sizes.



WA-4803
Size: 74X50X49cm
other customized sizes.



WA-4804
Size: 77-87X51X43cm
other customized sizes.



WA-4805

Specification: Aluminum Alloys
other customized sizes.



WA-4806

Size: 83.8-93.8X52X60cm
other customized sizes.



WA-4807

Size: Height of walking aid: 76-88cm, Handle width: 52cm
Adjustment height: 12cm, Side width: 45cm
other customized sizes.



WA-4808
Size: Total Height:88cm
Stool Height:48cm
other customized sizes.



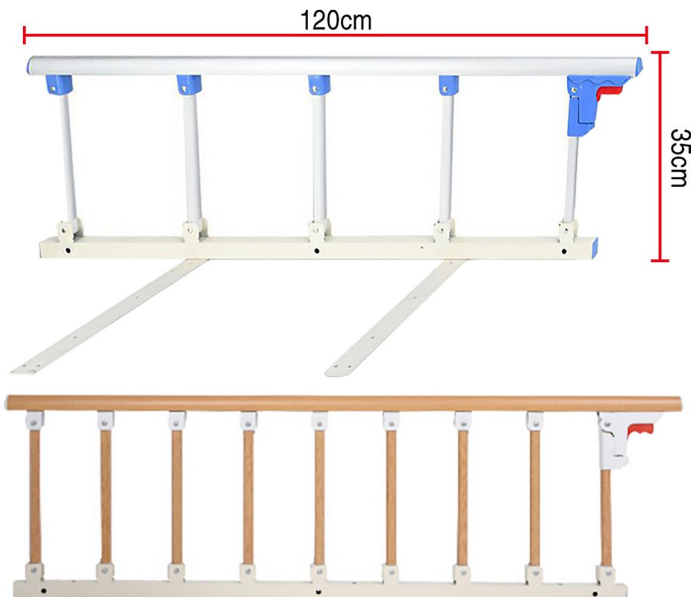
WA-4809
Size: 32-48X50X43cm
other customized sizes.



WA-4810
Size: 87cm 38cm 43cm 25cm
other customized sizes.



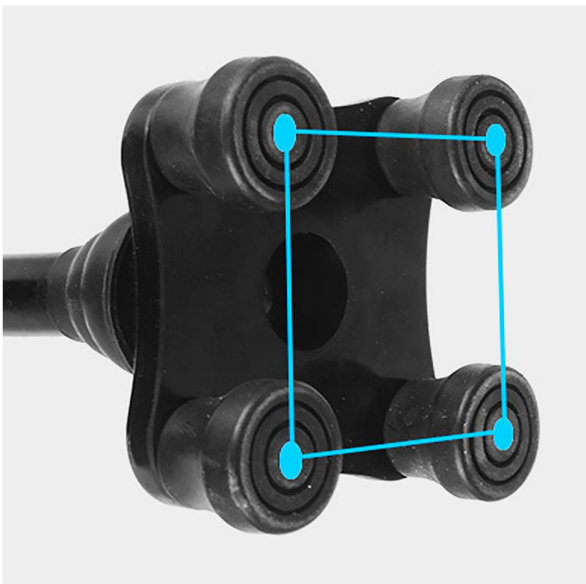
WA-4811
Size: high 64cm-88cm
other customized sizes.



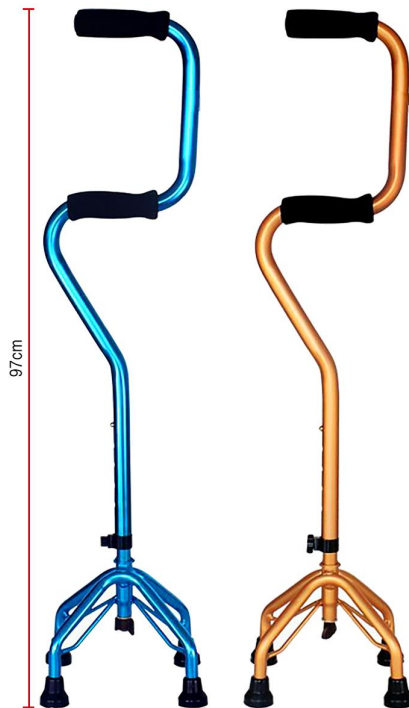
WA-4812
Size: 120-142X35cm
other customized sizes.



WA-4813
 Size: 81-91cm
 other customized sizes.



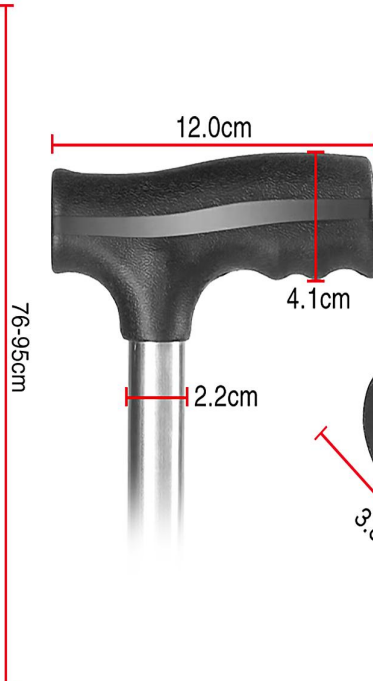
WA-4814
 Size: 68-96cm
 other customized sizes.



WA-4815
 Size: high 75-97cm
 other customized sizes.



WA-4816
 Size: 85X63X54cm
 other customized sizes.



WA-4817
 Size: 76-95X2.2cm
 other customized sizes.



WA-4818

Size: 30X20X10cm
other customized sizes.



WA-4819

Size: Crutch pad:18X9cm
Handle pad:17X10cm
other customized sizes.



WA-4820

Size: 20X10cm
other customized sizes.



HANGZHOU QUEENHE IMPORT & EXPORT CO.,LTD

FACTORY : PUYANG SELFAIDING INDUSTRIAL CO.,LTD

ADD : Rm711-712, Building#4, Zhongda Intime City, Gongshu Dist, Hangzhou, 310022, China

WHAT'S APP: 18658193565 SKYPE: robinhmq

E-MAIL : robin@hz-clean.com WEBSITE: www.aidingcare.com